



Manifold Mounting Cylinder

Single acting (spring return), push type

Description :

These clamping cylinders are single acting spring return cylinders. These cylinders are fitted either in tapped hole in fixture, or in manifold. Sealing 'O' Ring is provided on the face of the cylinder.

Advantages :

These cylinders are suitable to clamp smaller work pieces and when two or more jobs are clamped with short distance in between. The advantage of these cylinders is piping gets eliminated.

Installation :

Sealing ring is provided on the face of cylinder, for proper sealing resting face should be flat & square to thread axis.

Specifications :

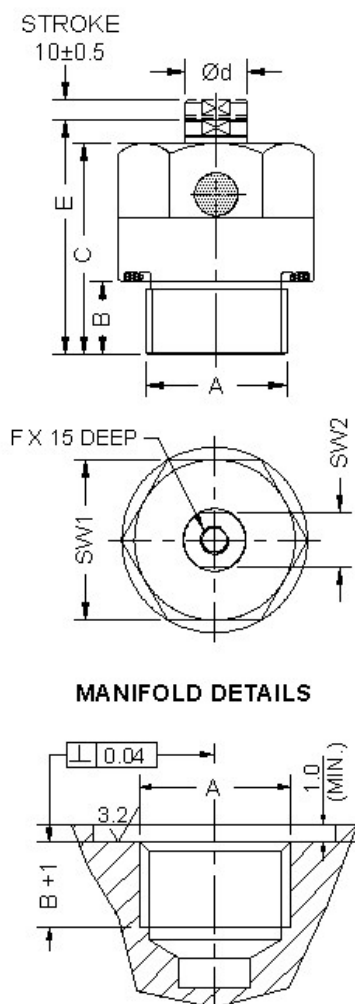
- Maximum operating pressure - 200 bar.
- Return spring back pressure - @ 1 bar.

Notes :

- Manifold mounting cylinders must not be subjected to a load in retracted position.
- These cylinders must not be loaded in unpressurised mode. Minimum wall thickness 3 mm for manifold.
- As the cylinder is single acting, spring return, a breather is provided. It should be protected from cutting liquids and coolants.
- For ordering the seal kit, add the prefix "S" to the part number.



Dimensional details :



FORCE*	0.75 kN	3 kN	7.22 kN
øBore	8	16	25
A	M12x1.5	M24x1.5	M36x1.5
B	13	14	21
C	40	45	52
d	5	10	16
E	46	51	58
F	NA	NA	M10
SW1	16	27	41
SW2	NA	8	14
PART NO.	1703500	1703600	1730700
MAXIMUM SEATING TORQUE	10 Nm	110 Nm	130 Nm
MINIMUM SPRING FORCE	12.7 N	57.7 N	106.3 N
WEIGHT	55 gm	190 gm	580 gm
OIL VOLUME	0.5 cc	2 cc	5 cc

* Force is specified at 150 bar.

All dimensions are in mm, Overall dimension tolerance ± 0.5 mm.
Subject to change for improvement. (Revision - July12)

Application Example :

